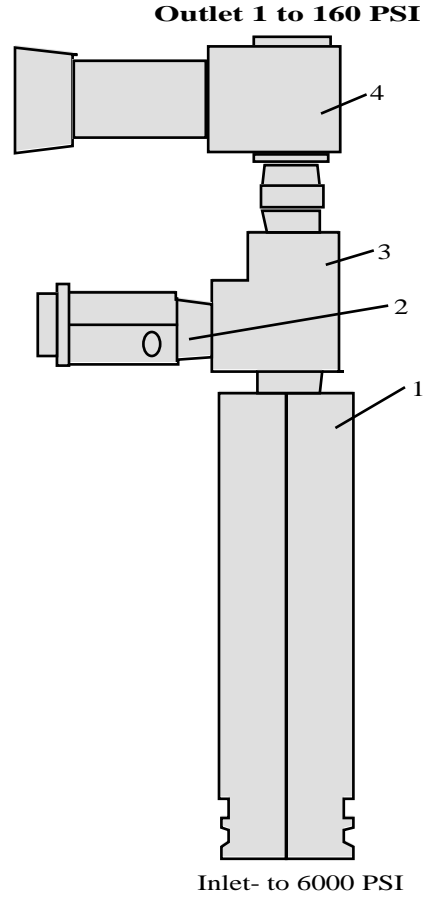


**USE OF 1247 REGULATOR TO PROVIDE 1 TO 200 PSI CONTROL AIR**

The 1247 regulator will reduce pressures of up to 6000 PSI down to 150 to 300 PSI to use in low pressure control circuits, feed gas analyzers, operate small air tools, fill tires etc. The Aqua 1247 regulator will control outlet pressure +/- 10 to 20 PSI and will also be affected by inlet pressure. Outlet pressure will increase about 7 PSI for every 1000 PSI of increase in inlet pressure. When more accurate or lower outlet pressures, are required a low cost, miniature shop air regulator can be used as shown here. See Operation sheets, on regulators for more details. There are numerous sources for the relief valve (item 2 below) and regulator (item 4). The table below lists a few supplied by Grainger Inc (grainger.com), MSC corp. (mscdirect.com) or Parker Hannifin Co.

**ITEM**

1. Aqua 1247-2 (or 969) regulator, set at 150 to 200 PSI
2. Relief set at 30-100 PSI above 1247
3. 1/4 NPT street Tee
4. LP regulator (Miniature shop air )



item #	Grainger/M SC p/n	max inlet PSI	outlet or set PSI	approx cost \$	note
relief	4ZK10	--	125-300	20	1/4 NPT adjustable
relief	5A710	--	200 preset	6	1/4 NPT ASME
relief	6D915		50-200	5	1/4 NPT adjustable
relief	08061707 MSC#		300 preset	14	FC Kingston, L.A. CA CRONG.3144.IC fig 112C - 1/4 NPT
relief	08061699 MSC#		200 present		FC Kingston, L.A. CA CRONG.3144.IC fig 112C - 1/4 NPT
LP regulator	4ZM08	250	5-125	15	1/4 NPT
LP regulator	4TY39	300	5-125	20	1/4 NPT
LP regulator	3NA77	150	2-60	150	high accuracy
LP regulator	80075583 MSC #	250	0-50	30	
LP regulator	62383591 MSC#	300	0-125	15	
LP regulator	Parker: 14R110FC	300	1-30	20	1/4 NPT Parker Hannifin Corp.